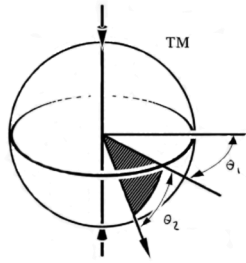


# Polar<sup>®</sup> Focus



Ultimate Line Array Rigging

## PY0-UJ-STEM

### Lower PY0 Quick Disconnect Fitting with PY0-UJ-STEM

Polar Focus Lower PY0 Quick Disconnect Fitting with PY0-UJ-STEM allows an easy connection to Polar Focus<sup>®</sup> line array accessories.

Our Line Array Stem allows any cluster up to 550 lbs to be mounted below the roof attachment point. For long drop lengths, multiple stems can be bolted together.

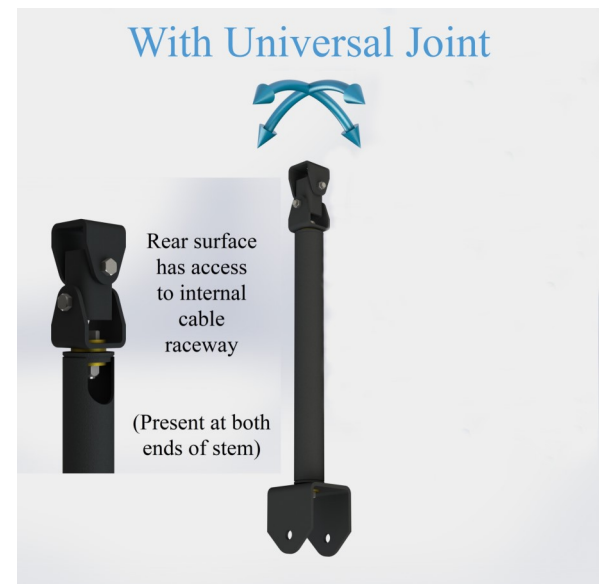
The interior of the post has a 1-3/4" diameter cavity, which allows speaker signal cable or amplifier power cable to be run through the stem. This allows for a super clean installation.

The top of the PY0-UJ-STEM assembly has a heavy duty rated U-joint. This allows the cluster to move laterally during a seismic event with minimal moments applied to the supporting roof beams.

For more assistance, call our audio rigging consultants at (413) 586-4444.



**Figure 1. Polar Focus Lower PY0 Quick Disconnect Fitting with PY0-UJ-STEM**

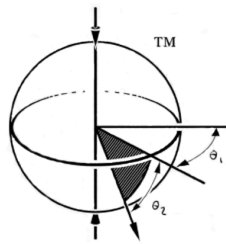


**Figure 2. Polar Focus Lower PY0 Quick Disconnect Fitting with PY0-UJ-STEM**

*Figure 2 illustrates internal cable raceway.*

See [www.linearrayframes.com](http://www.linearrayframes.com) for pan control, roof attachment, OEM products, line array frames and manufac-

# Polar<sup>®</sup> Focus

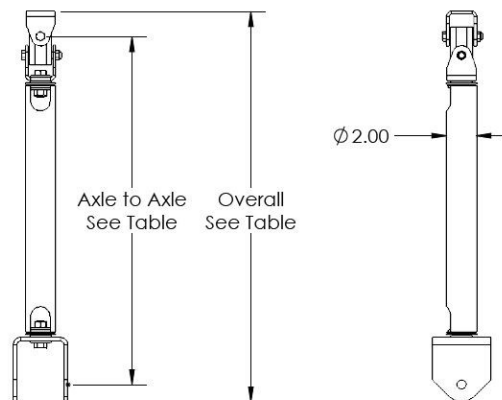
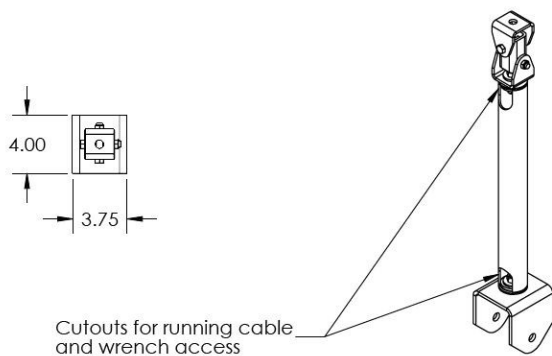


## Ultimate Line Array Rigging

### Architectural Specification:

The rigging suspension and aiming device shall have pan control of the suspended load. The rigging suspension and aiming device shall be made of structural steel. The pan control shall retain a set pan angle through the use of a rated friction bearing. The rigging suspension and aiming device shall have a design factor of 10:1 with a Working Load Limit of 550 lbs. The rigging suspension and aiming device shall be the Polar Focus PY0-UJ-STEM.

Overall Length:	4" (101.6 mm)
Overall Height:	Varies with stem length
Overall Width:	4" (95.3 mm)
Weight:	Varies with stem length
Primary Material:	Structural Steel
Finish:	Powder Coat Black / White
WLL:	550 lbs (250 kg)



Part Name	Height: Overall (in)	Height: Axle to Axle (in)	Weight (lbs)
PY0-UJ-STEM1	14.91	12	6.9
PY0-UJ-STEM2	26.91	24	9.4
PY0-UJ-STEM3	38.91	36	12
PY0-UJ-STEM4	50.91	48	14
PY0-UJ-STEM5	62.91	60	17
PY0-UJ-STEM6	74.91	72	19
PY0-UJ-STEM7	86.91	84	22
PY0-UJ-STEM8	98.91	96	24
PY0-UJ-STEM9	110.91	108	27
PY0-UJ-STEM10	122.91	120	29