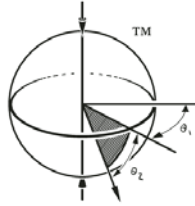


Polar[®] Focus



Audio Rigging Products

OJB-VRX-932-B

OJB-VRX-932-W

Array Frame for JBL VRX-932/918S family

Designed for increased functionality* and lower installation cost, the OJB-VRX-932 is a replacement array frame for the JBL VRX-AF used with the JBL VRX-932/918S loudspeaker family. The OJB-VRX-932 fastens to the loudspeakers using the M10 threaded holes in the top of the JBL speakers, bypassing the lighter weight clips between speakers. The bolt-in method also addresses potential erosion on the aluminum JBL VRX-AF frame by those steel clips at the area of steel to aluminum contact.

The OJB-VRX-932 features infinitely adjustable tilt control while under load without requiring re-rigging the cluster, or using chain hoists. When attached to supporting XY Grid[®] family hardware, the OJB-VRX-932 can be pan adjusted in seconds without re-rigging anything.

See the safety cable application chart on the last page of this datasheet the range of angle applications.

* Customers report that the time to safely suspend and accurately aim a typical three speaker system in a church or theater can be reduced from a full day for two workers, to as little as 45 minutes for two workers. Aiming adjustments at system tuning time can require as little as 15 seconds.



Figure 1. OJB-VRX-932-B shown without optional top attachment hardware



Architectural Specification:

The loudspeaker rigging frame shall be welded structural steel, powder coated for a long lasting finish available in black or white.. The loudspeaker rigging frame shall bolt into the available holes on the top of the JBL loudspeaker in the VRX932/918S family of loudspeakers. The frame shall allow for infinitely adjustable tilt control over the tilt angle of the cluster. The loudspeaker rigging frame shall allow for quick connection to a family of pan control and roof attachment parts. The loudspeaker rigging frame shall be 22.5" W x 6-13/16" H x 28-3/4" L.

Overall Length: 28-3/4" (730mm)

Overall Height: 6-13/16" (173mm)

Overall width: 22-1/2" (572mm)

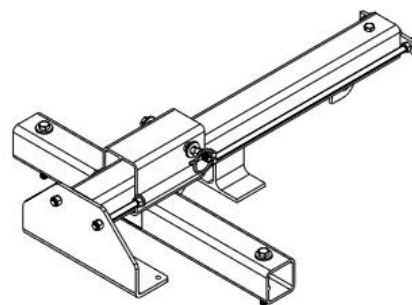
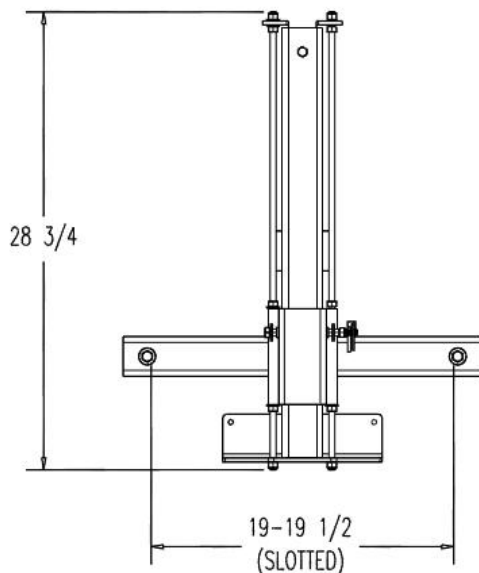
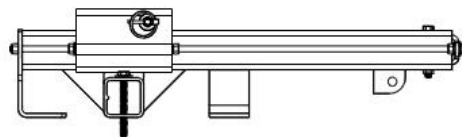
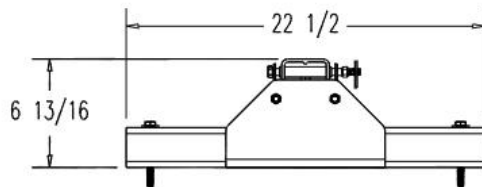
Weight: 35 lbs (15.9 kg)

Shipping Weight: 40 lbs (18.1 kg)

Primary Material: Structural Steel

Finish: Powder Coat Black
(OJB-VRX-932-B) or
Powder Coat White
(OJB-VRX-932-W)

WLL: see chart on last page





Configuration	Angles Achievable W/ Frame Only	Angles Where Safety Kit Is Required W/ Frame	Weight of Frame And Speakers	Angles Achievable W/ TCK
1 932	+33° to -63°	N/A	81 lbs.	ANY
2 932	+23° to -49°	N/A	127 lbs.	ANY
3 932	+22° to -20°	-20° to -36°	173 lbs.	ANY
4 932	+24° to -10°	-10° to -25°	219 lbs.	ANY
5 932	+27° to 0°	0° to -15°	265 lbs.	ANY
6 932	N/A	N/A	N/A	ANY
1 918S + 1 932	+24° to -37°	N/A	162 lbs.	ANY
1 918S + 2 932	+19° to -31°	N/A	208 lbs.	ANY
1 918S + 3 932	+17° to -15°	N/A	254 lbs.	ANY
1 918S + 4 932	+18° to -5°	N/A	300 lbs.	ANY
1 918S + 5 932	N/A	N/A	N/A	ANY
2 918S + 1 932	+18° to -25°	N/A	243 lbs.	ANY
2 918S + 2 932	+15° to -22°	N/A	289 lbs.	ANY
2 918S + 3 932	N/A	N/A	N/A	ANY
2 918S + 4 932	N/A	N/A	N/A	ANY
1 918S	+39° to -20°	N/A	116 lbs.	ANY
2 918S	+25° to -10°	N/A	197 lbs.	ANY
3 918S	+18° to 0°	N/A	278 lbs.	ANY

Configuration	Angles Achievable W/ Frame Only	Angles Where Safety Kit Is Required W/ Frame	Weight of Frame And Speakers	Angles Achievable W/ TCK
1 932P	+40° to -61°	N/A	87 lbs.	ANY
2 932P	+31° to -45°	N/A	139 lbs.	ANY
3 932P	+29° to -20°	-20° to -32°	191 lbs.	ANY
4 932P	+29° to -10°	-10° to -21°	243 lbs.	ANY
5 932P	+31° to 0°	0° to -11°	295 lbs.	ANY
6 932P	N/A	N/A	N/A	ANY
1 918SP + 1 932P	+26° to -36°	N/A	172 lbs.	ANY
1 918SP + 2 932P	+21° to -28°	N/A	224 lbs.	ANY
1 918SP + 3 932P	+19° to -15°	N/A	276 lbs.	ANY
1 918SP + 4 932P	+20° to -5°	N/A	328 lbs.	ANY
1 918SP + 5 932P	N/A	N/A	N/A	ANY
2 918SP + 1 932P	+19° to -24°	N/A	257 lbs.	ANY
2 918SP + 2 932P	+16° to -20°	N/A	309 lbs.	ANY
2 918SP + 3 932P	N/A	N/A	N/A	ANY
2 918SP + 4 932P	N/A	N/A	N/A	ANY
1 918SP	+39° to -20°	N/A	120 lbs.	ANY
2 918SP	+25° to -10°	N/A	205 lbs.	ANY
3 918SP	+18° to 0°	N/A	290 lbs.	ANY