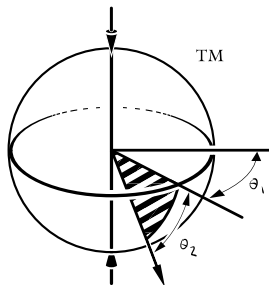


What is a Zbeam[®], and How Does it Make Audio Rigging So Fast?



Polar[®] Focus



Manufactured and Technical Support by:

Polar Focus, Inc.
P.O. Box 3, 217 Russell Street
Hadley, MA 01035 USA
413-586-4444 voice
509-357-5657 fax
www.polarfocus.com

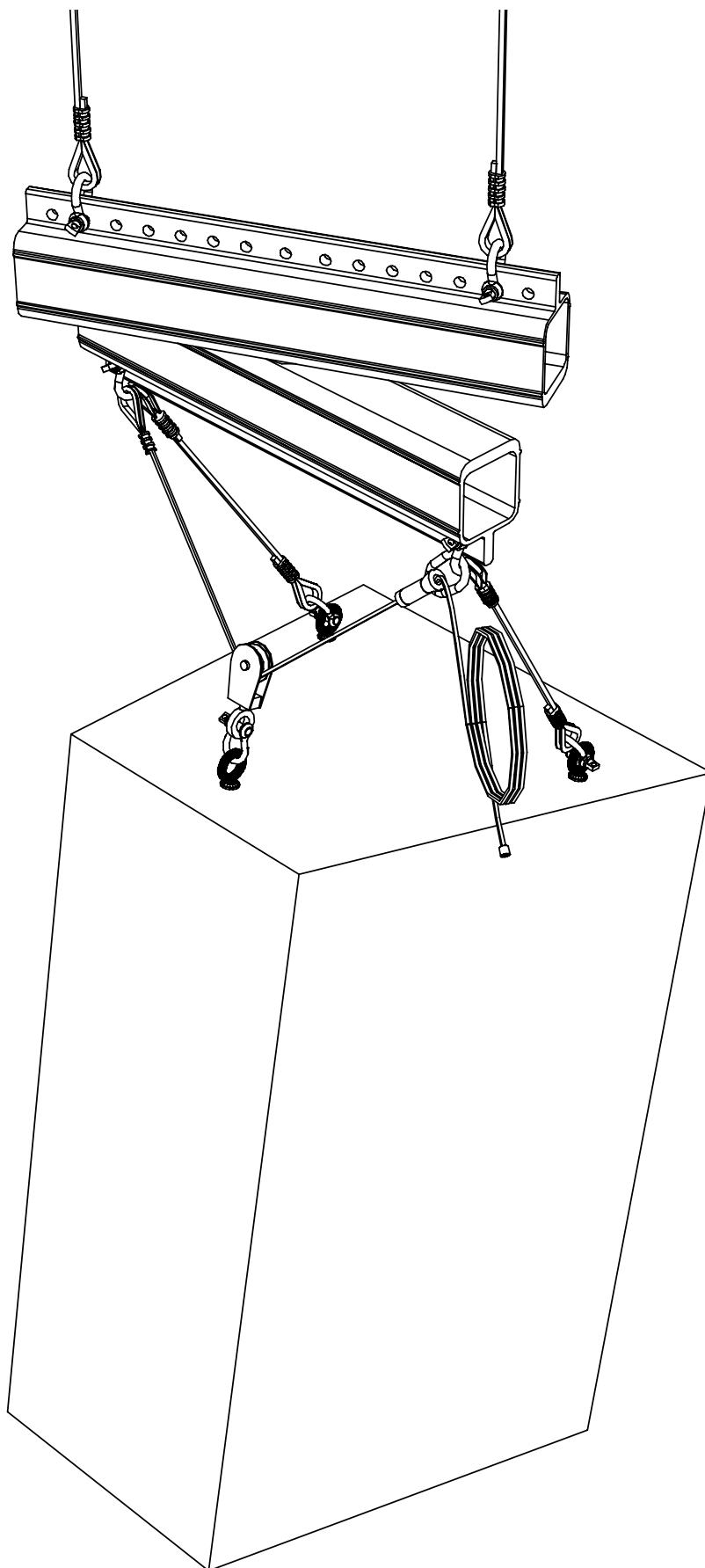
The Zbeam® is a universal audio rigging beam. The purpose of the Zbeam is to remove the restrictions of conventional rigging hardware. The only limit is your imagination. The Zbeam allows loudspeaker systems to be installed with unprecedented speed, accuracy, and low total cost. In the following pages, you will see some of the many configurations in which it can be used. First, a few of the features:

- 880 lbs (400 kg) WLL clearly labeled on the product, with a 10:1 design factor (rear side unmarked to face audience)
- Four vernier scales, so you can read the pan (a.k.a. azimuth) angles from the top left, top right, bottom left, or bottom right approaches to the product
- All connections made with standard and inexpensive 5/16" (8mm) shackles – no expensive stainless steel pins or unrated cargo fittings
- All shackle holes labeled in inches, millimeters, and letters from the center line. No more counting holes!
- A ten page manual in a ziplock pouch, secured into the top tube by Velcro
- Only 14 lbs (6.3 kg), made from structural aluminum
- An extremely heavy duty heat treated alloy steel axle with a friction bearing. The friction bearing holds the angle once you adjust the speaker into position
- Available in anodized black or powder coated white

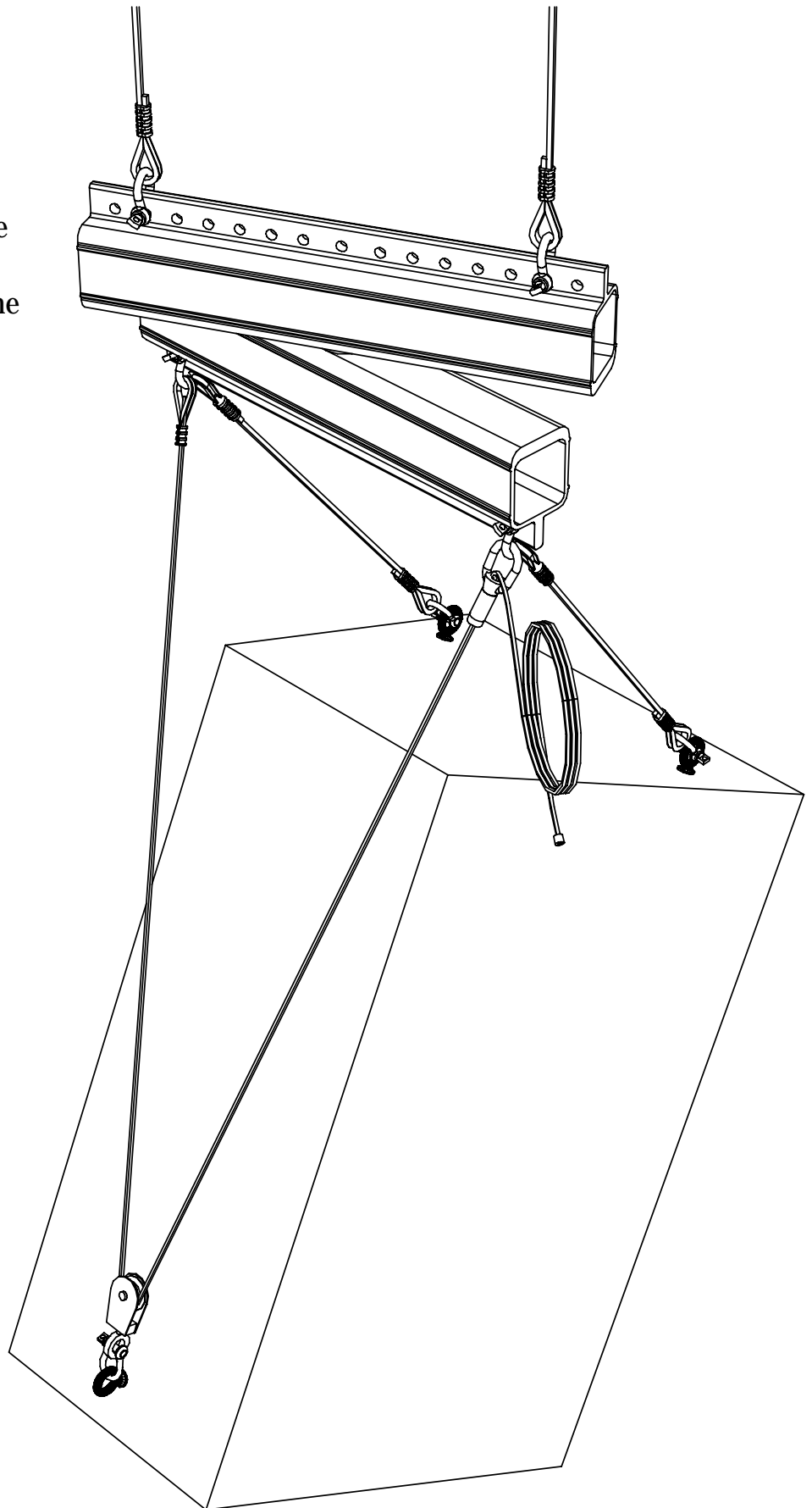
The key to fast and effective rigging is to have total control over each single enclosure, with pan and tilt independently adjustable, *before* grouping the enclosures into clusters.

The drawing to the right shows a typical loudspeaker with three rigging points on top. The adjustable Tilt Cable Kit makes it possible to change the tilt angle of a loudspeaker in just seconds. An adjustable cable grip fitting feeds excess cable from the coil through the pulley, and then locks the speaker into position.

The adjustable Tilt Cable Kits are available in a variety of standard sizes. Custom cable lengths are also available.

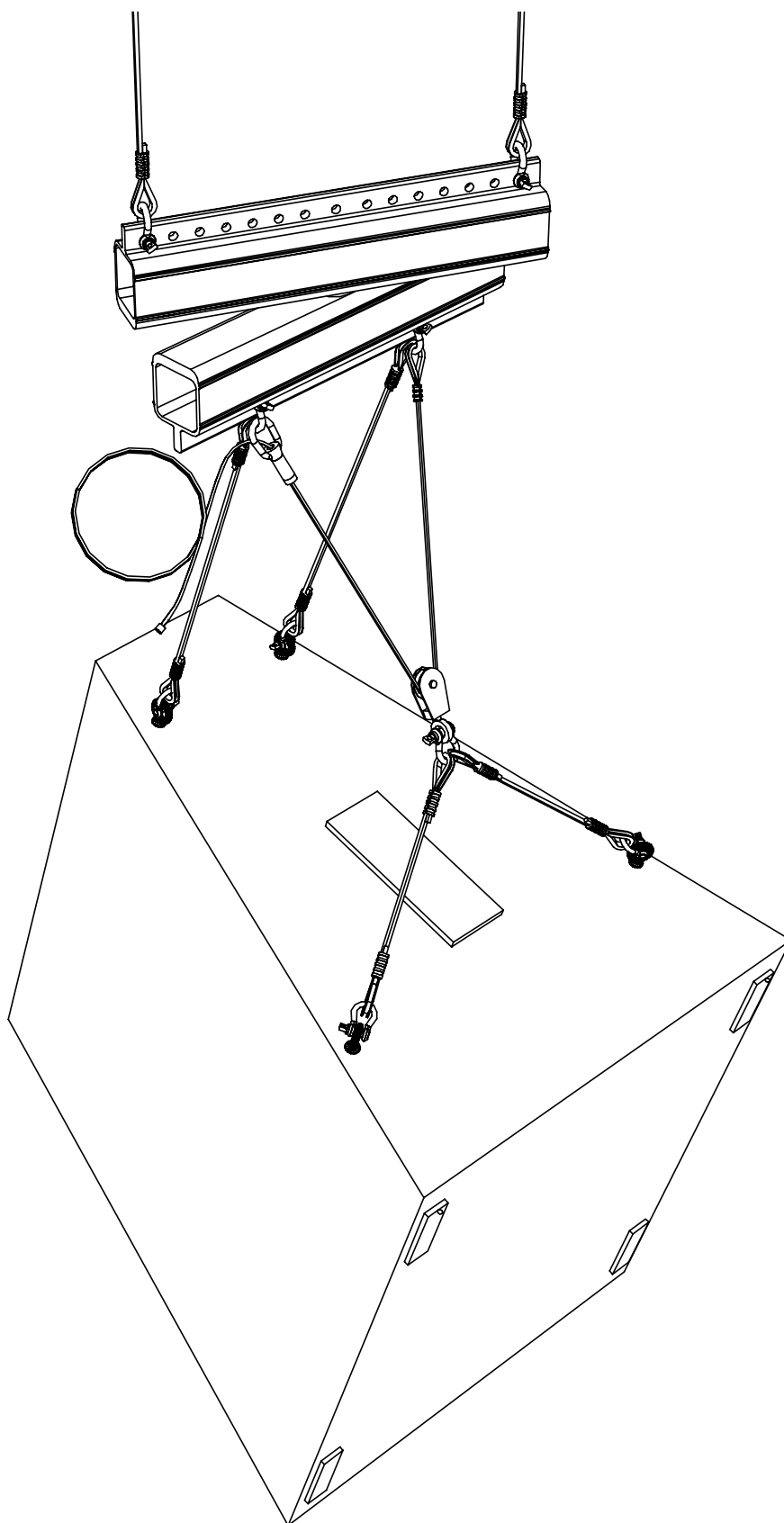


For medium down angles, the pulley is reset to the rigging point at the bottom rear of the enclosure.

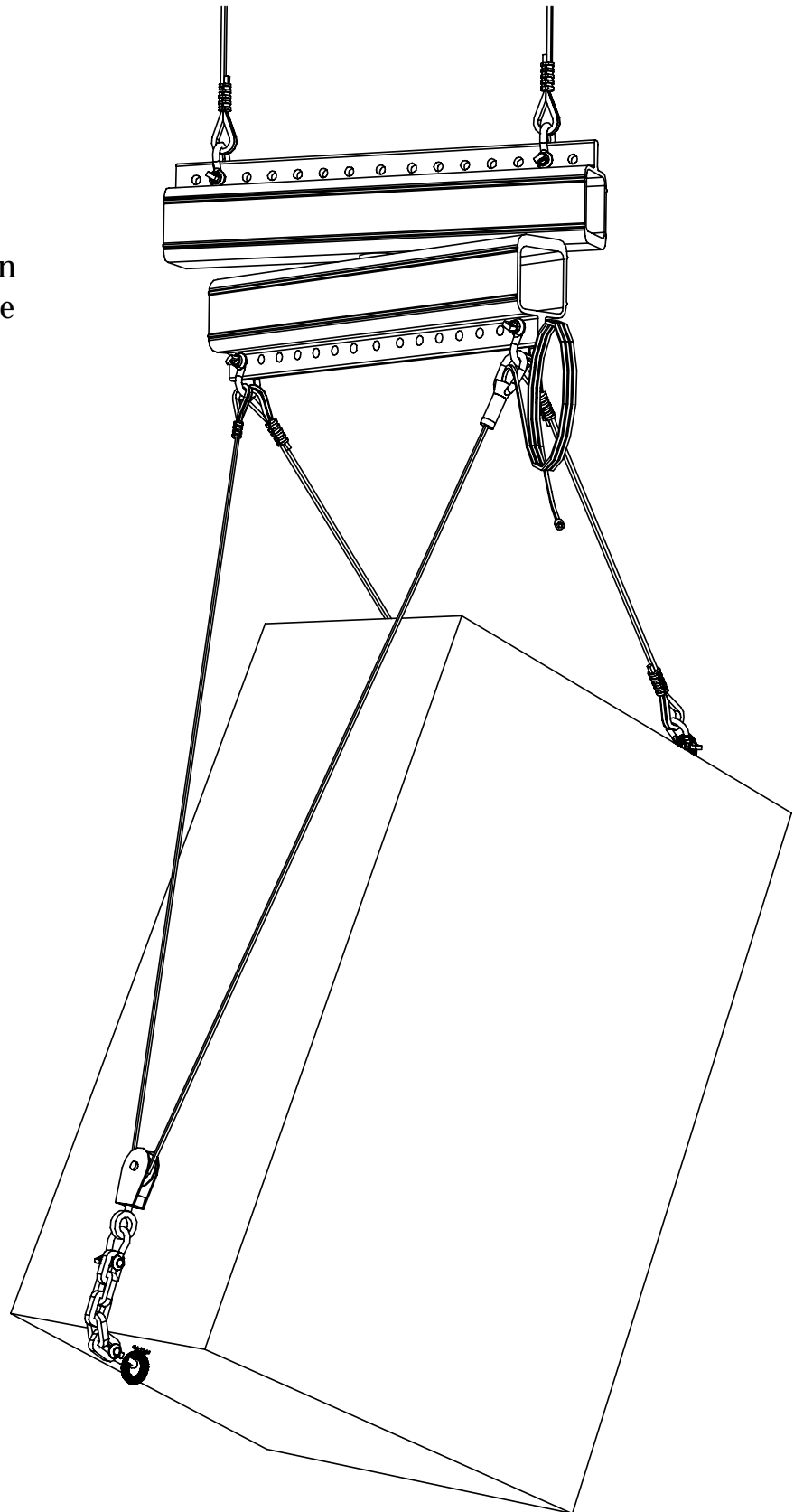


Some installation enclosures have four rigging points. For those boxes, a slight variation of the adjustable bridle still does a great job setting the tilt angle.

Comparing this to the three point configuration, the two fixed length cables between the Zbeam® and the enclosure are now in the rear. The pulley is now in the front, with an extra set of fixed length cables to attach to the front of the enclosure.



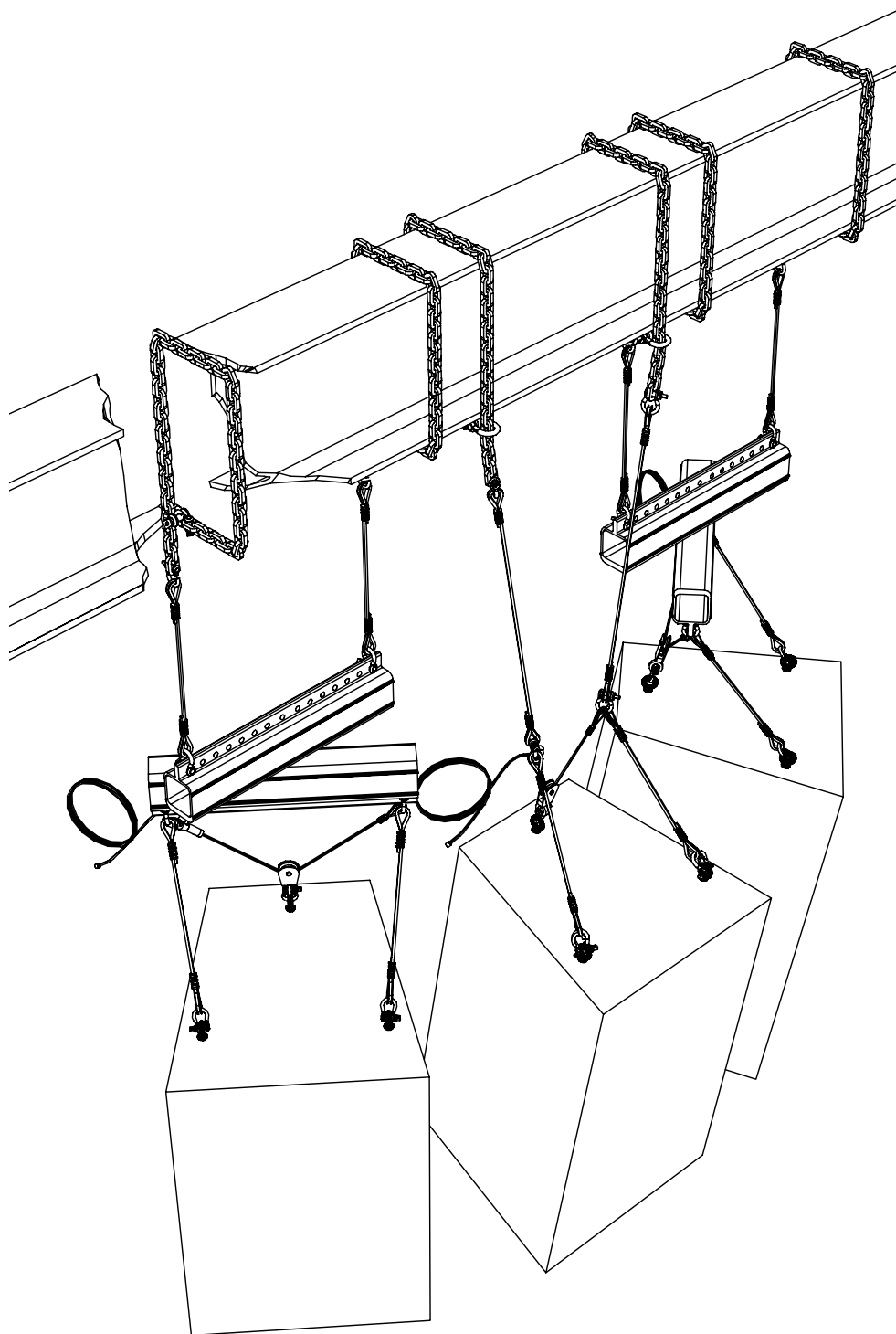
Some loudspeakers have no rigging points on their back surface. Those loudspeakers sometimes require a back chain kit to reach an eyebolt on the bottom of the loudspeaker.



This configuration shows a three wide cluster, with part of the steel beam removed for visual clarity. The two outer speakers are in a couplet configuration. The center speaker does not need a Zbeam®, since that speaker is aimed directly perpendicular to the supporting steel beam.

Connections to the steel beam are chain chokers made from grade 80 heat treated alloy steel lifting chain. In this configuration, the cluster curvature is created using the depth of the steel beam. No grid is required.

This same method can easily create gridless four wide clusters.



Now you've seen a few of the configurations possible with this terrific new rigging system. There are many more variations than we could show in these few pages. Multilevel clusters can be easily made, clusters of horns not in enclosures, even spiral rigs can quickly be achieved.

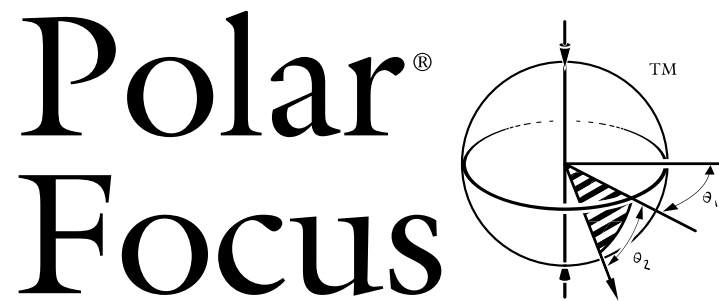
With conventional rigging systems, most of the key angles are welded into position, so you can't make changes once a system has been installed. Because the Zbeam® allows for each speaker to be quickly and independently adjusted in pan and tilt, audio engineers can now make focus changes at system tuning time. A designer now gets a second chance to minimize reflections, and optimize coverage.

Since Zbeams work well with almost every flying loudspeaker in the business, they are made in advance, and kept in stock at a location near you.

Finally, rigging with this new system is very fast because the Zbeam is so simple. This combination of speed and simplicity makes it the most useful tool for audio rigging since the shackle.

Thank you for taking the time to learn about the Zbeam. Do you have technical questions? Do you want to know how the Zbeam will help in your application? Call us at 413-586-4444. Thank you.

Audio rigging should be as easy
as putting mics on mic stands.



Polar Focus, Inc.
Post Office Box 3
217 Russell Street
Hadley, MA 01035 USA
413-586-4444 voice
509-357-5657 fax
www.polarfocus.com

Creators of the:
ZBeam[®]
LBeam[™]
XY Grid[™]
and other fine audio
rigging products

Polar Focus[®] and Zbeam[®] are registered trademarks of Polar Focus, Inc.